



# Energy Transition in the Fisheries Sector

*Inter-ACs Meeting  
29 April 2022*

*Image Source: Wind Europe*



# Rationale

Press release | 25 March 2022 | Brussels

**Fisheries: Commission activates crisis measures to financially support fishery and aquaculture sectors**

Press release | 13 April 2022 | Brussels

**Fisheries: Commission proposes second package of crisis measures to support fishery and aquaculture sectors**

*“These emergency crisis measures should not in any way impede our long-term efforts towards structural energy transition of the fishery and aquaculture sectors to achieve the objectives of the European Green Deal.”* Commissioner Sinkevičius

- **Initial reflections started** on what support might be developed.
- Includes **analysing science and technology advances**, notably from EU’s research framework programmes.
- The **aim** would be to **develop, with stakeholders, advice and best practices on possible modifications.**

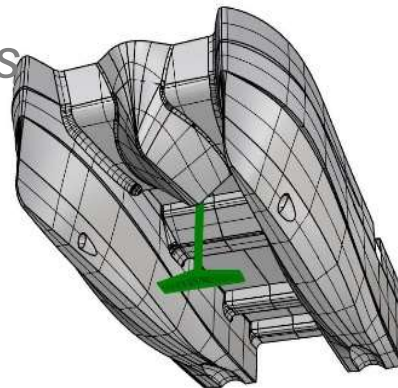
# Some known examples

## Hull design and T-foil in longliners and purse seiners

↘ -25% of fuel consumption

*Martinez Constructions Navales*

**Sète, France**



## Lighter fishing gear material in trawlers (e.g. polypropylene instead of nylon)

↘ fuel consumption from 1,2T daily to 0,8T

*Pers. Comm. IRBIM CNR*

**Mazara, Italy**

# Some known examples

## Wind Power as complementary propulsion / power source



*Project Sailfish, M. Penna Engineering*  
**Catalonia, Spain**



*Balueiro Segundo with eSAIL® system, co-funded via EU Aspiring Wingsails project*  
**Vigo, Spain**

## Solar panels and electric engine in trawlers

➤ CO2 emission reduced by 1600kg annually

*Nautical University of Barcelona*

**Barcelona, Spain**

# Contributions welcome!

- Use this Inter AC meeting to **have a first exchange**.
- **Specifically**, to explore **what possibilities** there may be to give the fishing sector a **concrete way forward** to use renewables/alternatives, promoting and benefitting from the creativity and proactivity of fishers.
- To **inform the discussion**, firstly **presentations** from:
  - ❖ **DG MOVE** on the current relevant **Fit for 55 policy** framework, notably **FuelEU Maritime**;
  - ❖ **DG RTD plus CINEA** on **relevant research activities** in **Horizon 2020** and **Horizon Europe**.

# Questions for discussion

- 1) What would you consider to be the **benefits and challenges** in facilitating Energy Transition in the Fisheries Sector?
- 2) Can you **share details of research projects and/or adaptations made** on existing fishing vessels to reduce their carbon emissions that could contribute to the considerations?
- 3) What **other stakeholders** could usefully contribute ideas on how to achieve this energy transition?

# Thank you



© European Union 2020

Unless otherwise noted the reuse of this presentation is authorised under the [CC BY 4.0](https://creativecommons.org/licenses/by/4.0/) license. For any use or reproduction of elements that are not owned by the EU, permission may need to be sought directly from the respective right holders.